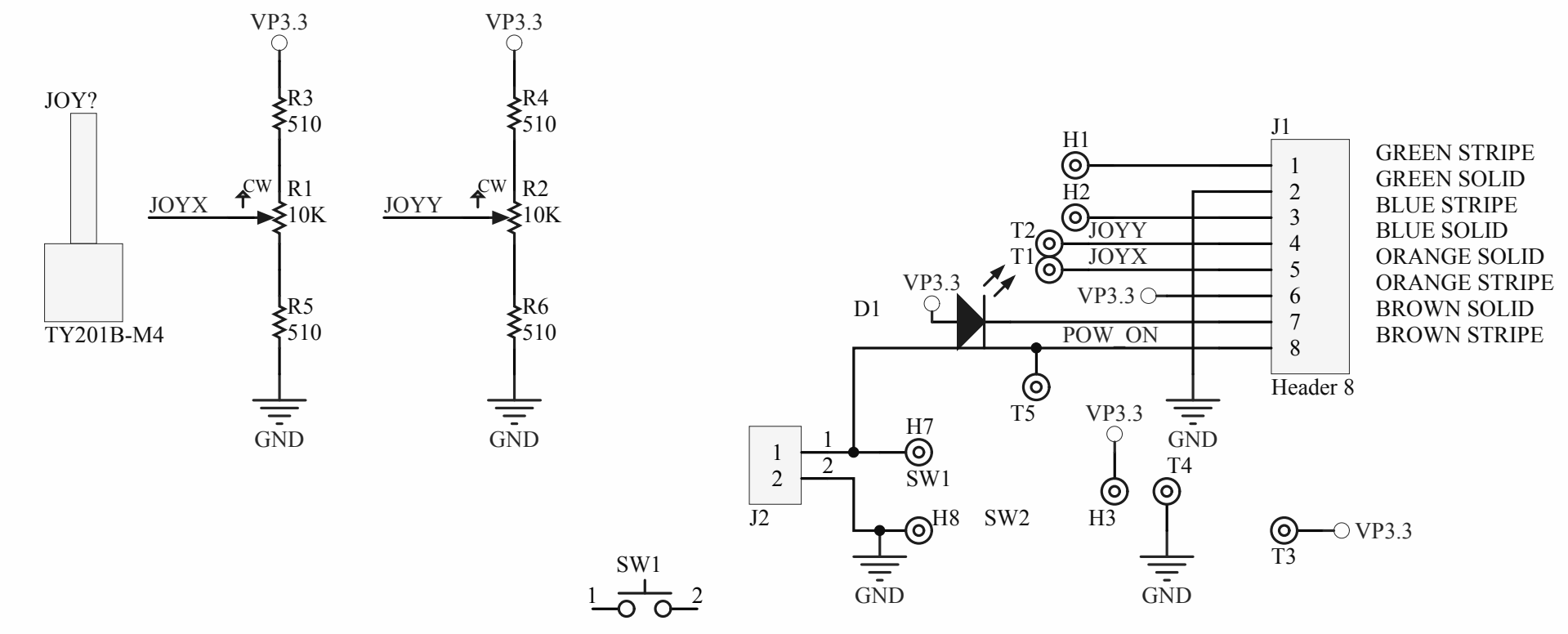


A

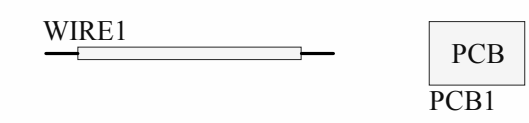
Fault Cases where wire becomes disconnected:  
 POW\_ON: Power is disabled  
 GND: power is disabled.  
 VP3: JOYX and JOYY will report 0V.  
 JOYX: JOYX: will report 0V.  
 JOYY: JOYY: will report 0V.




B

C

D



|                             |                  |              |  |
|-----------------------------|------------------|--------------|--|
| Title <b>Joystick Board</b> |                  |              |  Daycounter, Inc.<br>www.daycounter.com<br>801.938.4264 |
| Size: B                     | Number: *        | Revision: H  |  |
| Date: 2/3/2019              | Time: 9:47:30 AM | Sheet 1 of 1 |  |
| Drawn By: Metin Gunsay      | Customer: *      |              |  |